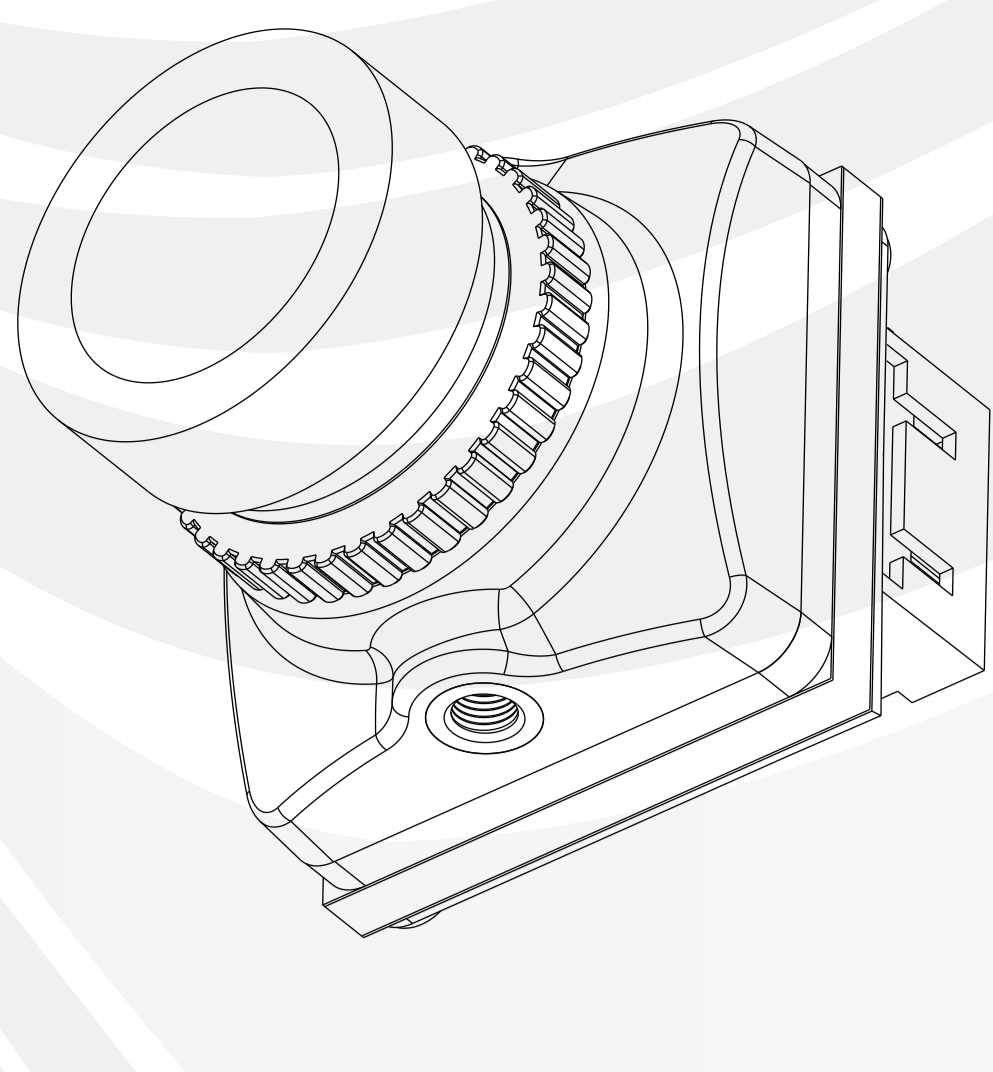


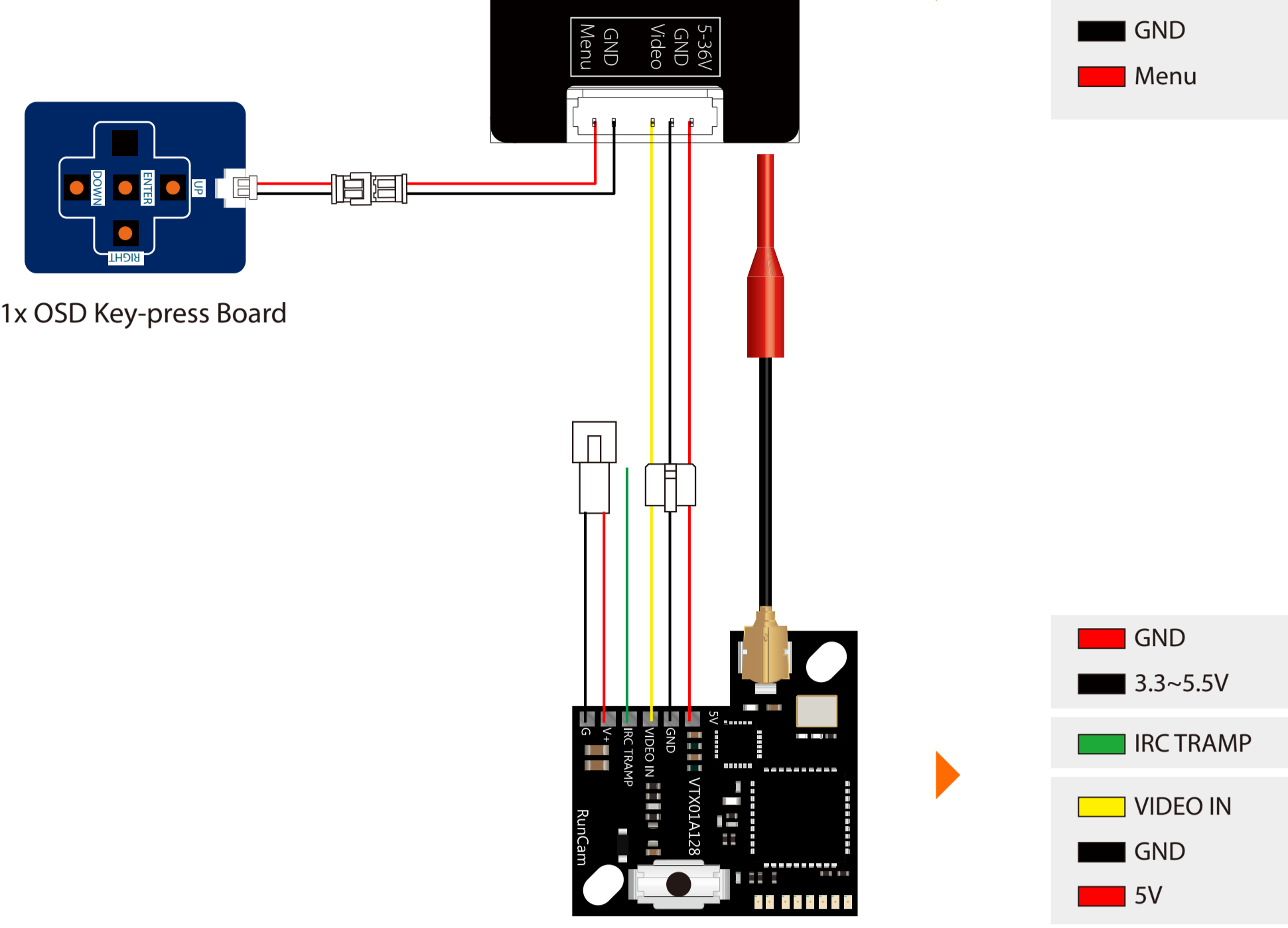
# RunCam Phoenix 2 SPV4

## USER MANUAL



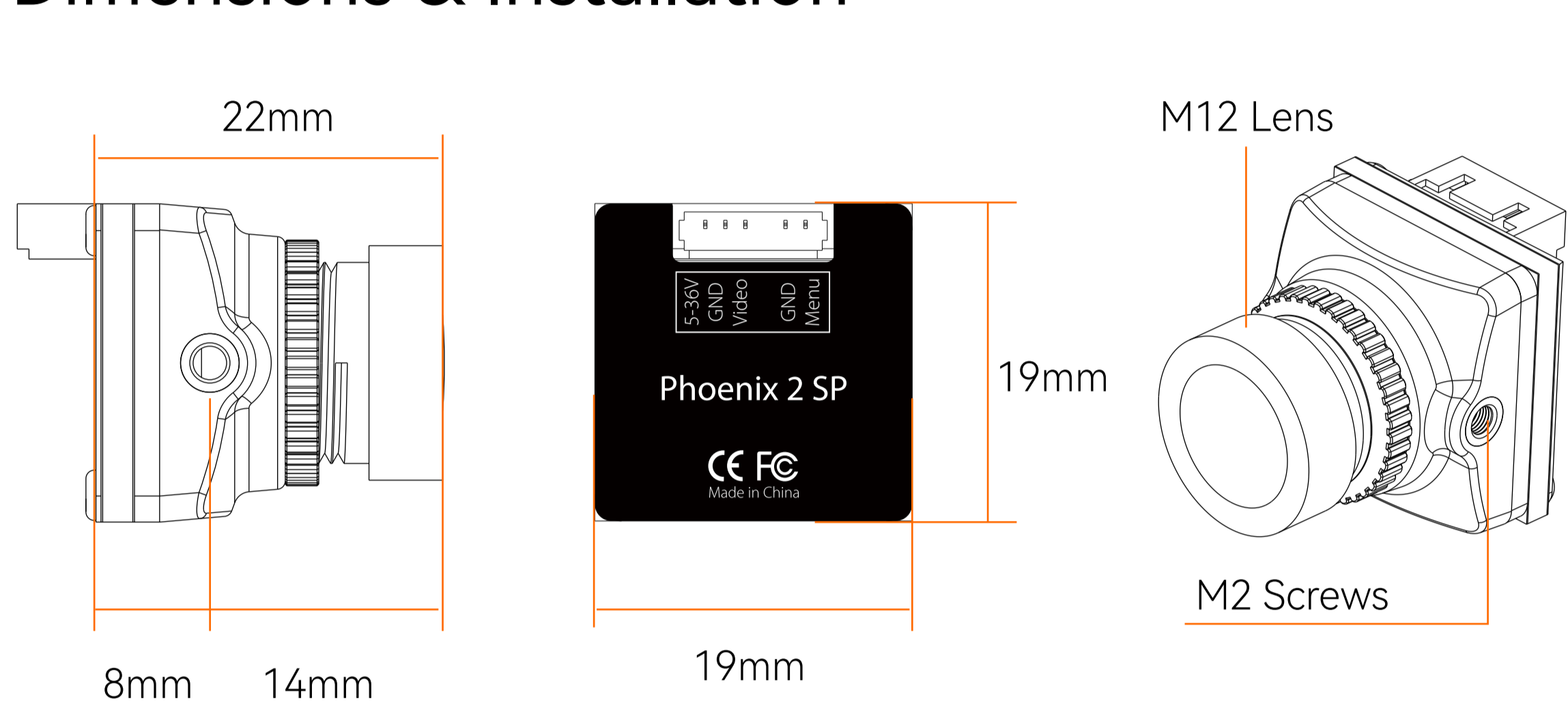
### 01

#### Joystick Control



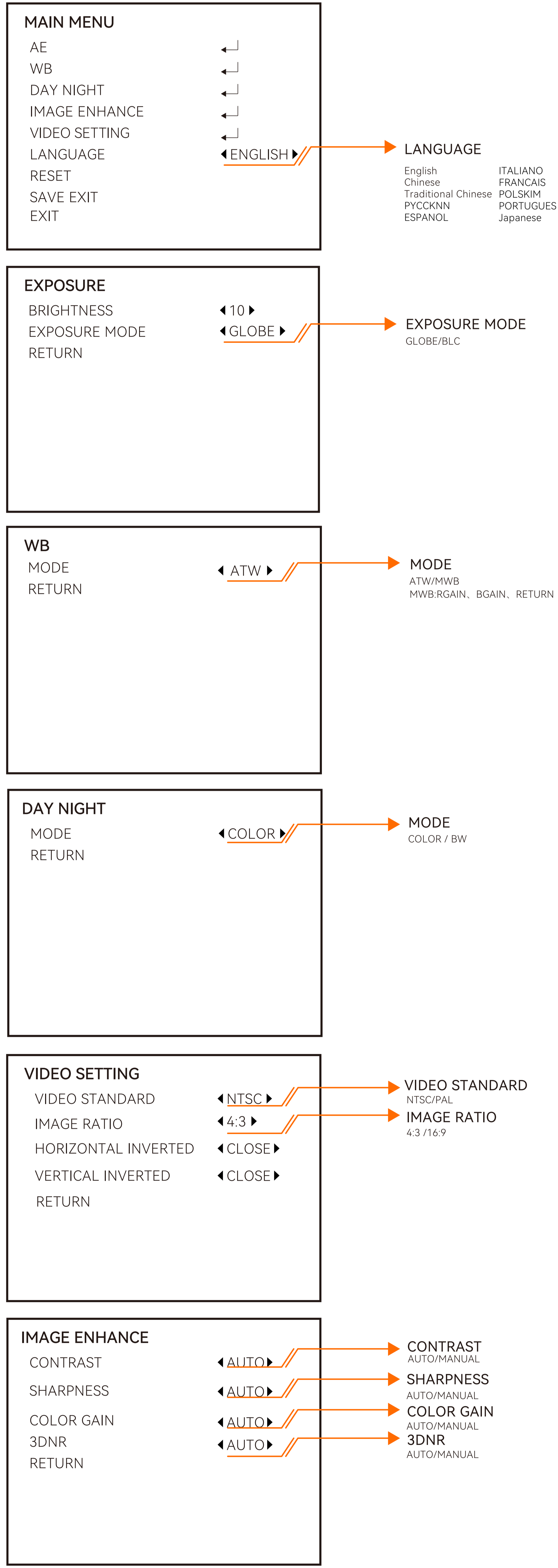
### 02

#### Dimensions & Installation



### 03

#### Camera Menu



### 04

#### Parameters

Model	RunCam Phoenix SPV4	
Image Sensor	1/2.8" SONY BSI CMOS	
Horizontal Resolution	1500TVL	
Lens	FOV D:160° H:122° V:88°	FOV D:145° H:122° V:67°
Screen Format	4:3	16:9
Mirror/Flip	Available	
Signal System	NTSC/PAL	
Shutter	Rolling Shutter	
Sensitivity	1300mV@1/30 s accumulation	
WDR	Global WDR	
Day/Night	Color/BW	
Menu Control	Cable Control	
Power	DC 5-36V	
Current	220mA@5V	120mA@12V
Housing Material	ABS	
Net Weight	8.5g	
Dimensions	19mm*19mm*22mm	