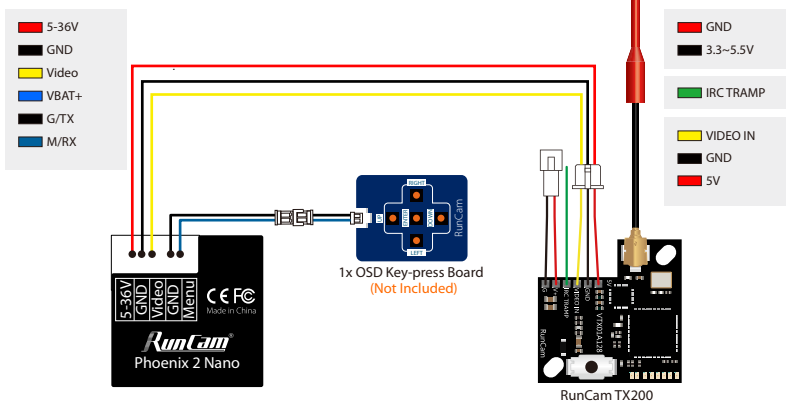


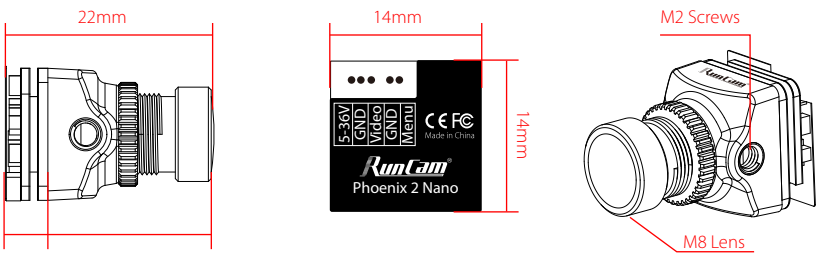
RunCam Phoenix 2 Nano

USER MANUAL

Joystick Control



Dimensions & Installation



Camera Menu

MAIN MENU

- AE
- WB
- DAY NIGHT
- IMAGE ENHANCE
- VIDEO SETTING
- LANGUAGE
- RESET
- SAVE XEIT
- EXIT

EXPOSURE

- BRIGHTNESS
- EXPOSURE MODE
- ADVANCED
- RETURN

· EXPOSURE MODE (GLOBE/BLC)

WB

- MODE
- RETURN

DAY NIGHT

- MODE
- RETURN

· MODE (COLOR / BW / EXT / AUTO)

VIDEO SETTING

- VIDEO STANDARD
- HD FORMAT
- IMAGE RATIO
- HORIZONTAL INVERTED
- VERTICAL INVERTED
- WDR
- RETURN

· VIDEO STANDARD (NTSC/PAL)
· IMAGE RATIO (4:3 / 16:9)

IMAGE ENHANCE

- CONTRAST
- SHARPNESS
- COLOR GAIN
- 3DNR
- RETURN

· CONTRAST (AUTO/MANUAL)
· SHARPNESS (AUTO/MANUAL)
· COLOR GAIN (AUTO/MANUAL)

Parameters

Model	RunCam Phoenix 2 Nano
Image Sensor	1/2" COMS Sensor
Horizontal Resolution	1000TVL
Lens	2.1mm (M8) FOV155° (4:3)
Screen Format	4:3 / 16:9 switchable
Mirror/Flip	Available
Signal System	PAL / NTSC Switchable
S/N Ratio	>50dB (AGC OFF)
Electronic Shutter Speed	Auto
Auto Gain Control (AGC)	Auto
Min. Illumination	0.001Lux@1.2F
WDR	Global WDR
Day/Night	Color/BW/EXT/Auto
Menu Control	Cable Control
Power	DC 5-36V
Current	190mA@5V/80mA@12V
Housing Material	ABS
Net Weight	5g
Dimensions	14mm*14mm*22mm