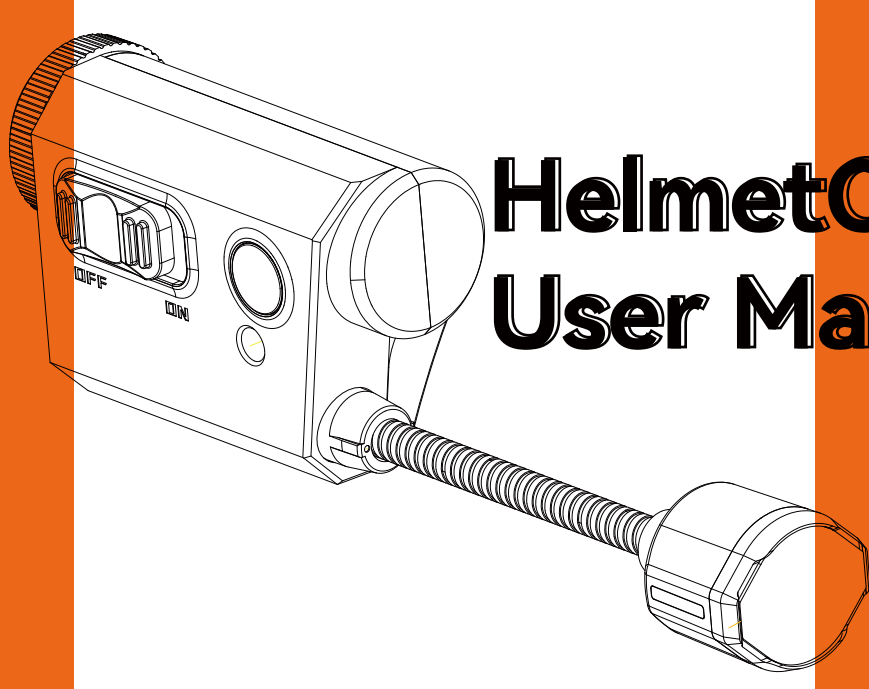
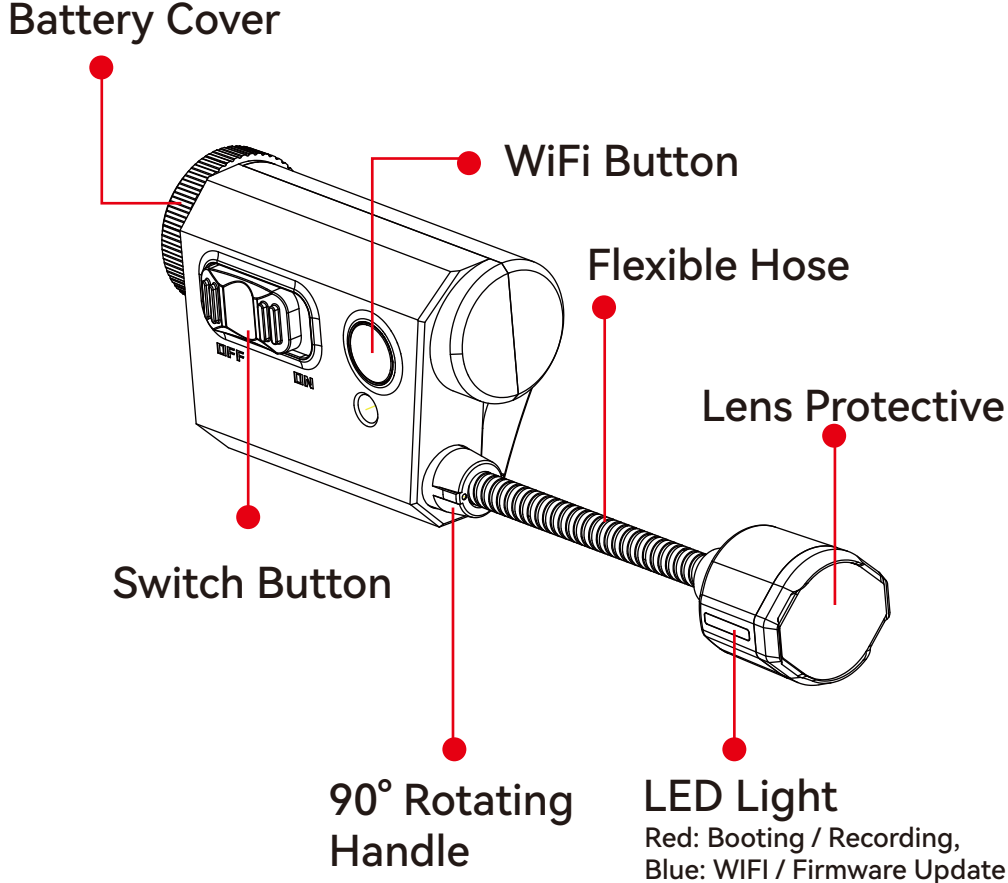


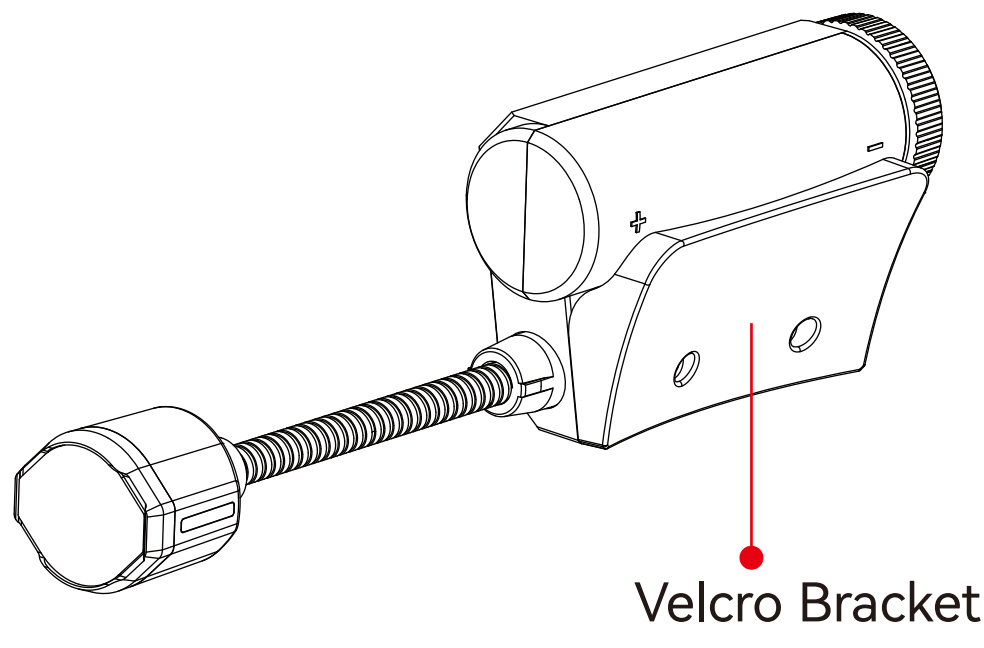
# HelmetCam User Manual



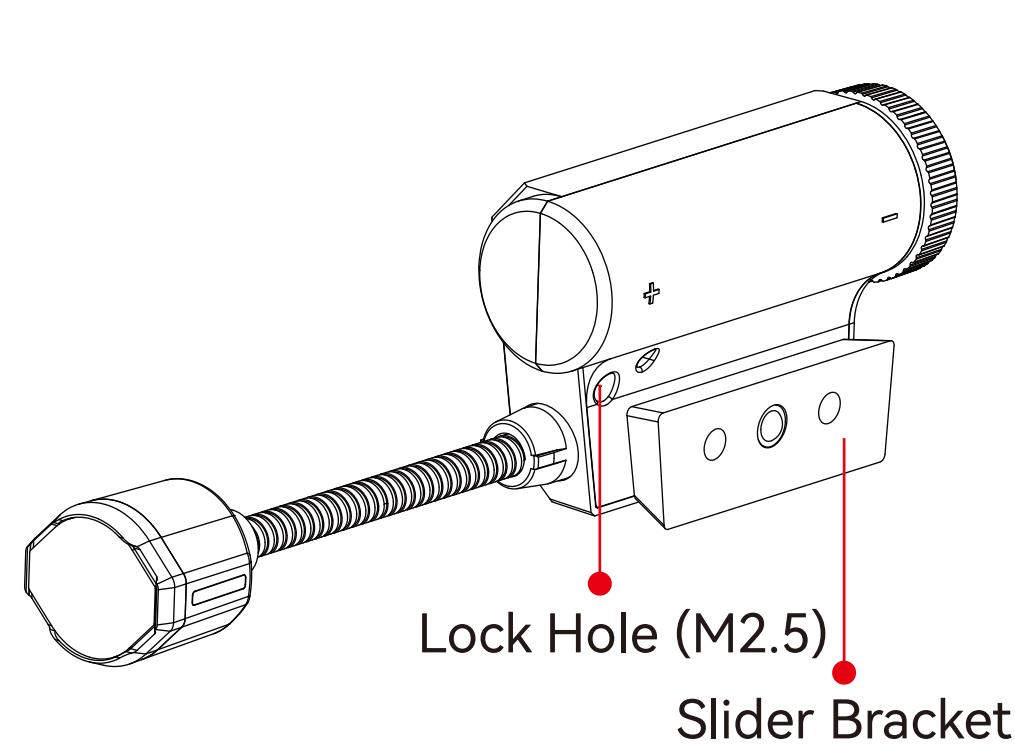
## 1 Quick Guide



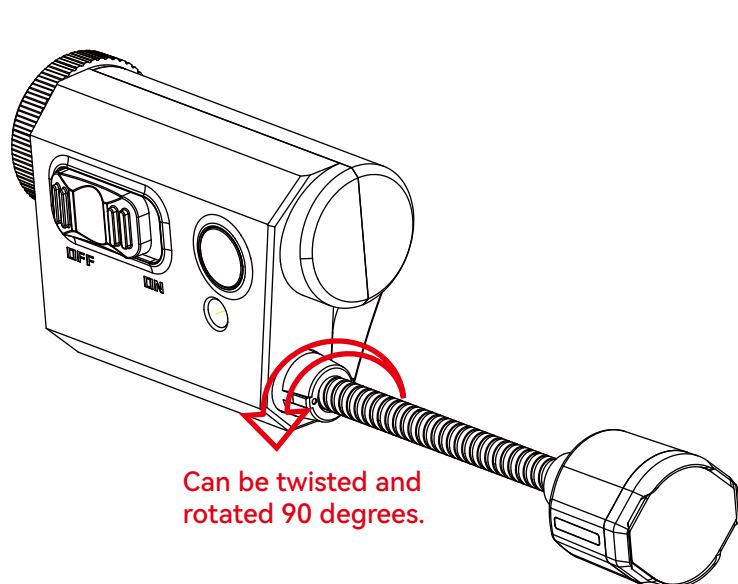
## ▲ Installation Method 1



## ▲ Installation Method 2



## 2 Camera Rotation



## 3 Camera Operations

Function	Operation
Power On/Off	-Push up the switch button to power on, red light stays on, camera vibrates. -Push down the switch button to power off, camera vibrates, all lights turn off.
Start/Stop Recording	-Push up the switch button, camera starts recording automatically after power on, red light flashes slowly, camera vibrates. -Push down the DIP switch button, camera vibrates, stops recording and powers off.
Turn on/Turn off WiFi	-In power-on state, short press the WiFi button to enable WiFi, camera vibrates, red light stays on, blue light flashes slowly. -In WiFi state, short press the WiFi button to disable WiFi, camera vibrates, red light stays on.
Low Battery Reminder	-When the battery is low, the camera vibrates every 5 seconds, 3 times in total, and automatically powers off after 5 minutes.
Charging status	-When device is charging, the light will be solid green. -When device is fully charged, the light will be off.

## 4 Micro SD Card

It is recommended to use a U3 card, supports up to microSD 128GB card.

Note:

- 1:Please be careful to insert or remove the microSD card, protecting it from liquid, dust or chip. To be cautious, please turn off the camera before inserting or removing the microSD card. Please use the SD card referring to the instructions provided by the manufacturer, within the allowing temperature range.
- 2:When the camera fails to record, please format the microSD card via computer or RunCam App.

## 5 Connecting to a Computer

Connect to a computer via Micro USB, it will be recognized as a USB drive.

Note:

If the camera is not recognized after connecting to the computer, please make sure there is a microSD card in the camera. If the information on the microSD card cannot be read properly, please try changing the USB cable or the USB port on the computer.

## 6 RunCam App Connection

- 1:After turning on the camera, short press the Wi-Fi button to turn on the Wi-Fi. A blue light will blink, waiting for a connection on mobile phone.
- 2:Go to the WLAN/Wi-Fi setting on mobile phone and find a device HelmetCam\_XXXXXXX to connect, typing in the password 1234567890
- 3:Go to RunCam App, select HelmetCam to connect. Preview and configuration will be available after a successful connection.

## 7 Firmware update

To ensure the best performance of the camera, please use it with the latest firmware.

Camera status during firmware update: blue light blinks slowly first and then fast, and camera will get shut off automatically when the updating is finished.

URL for firmware download and update

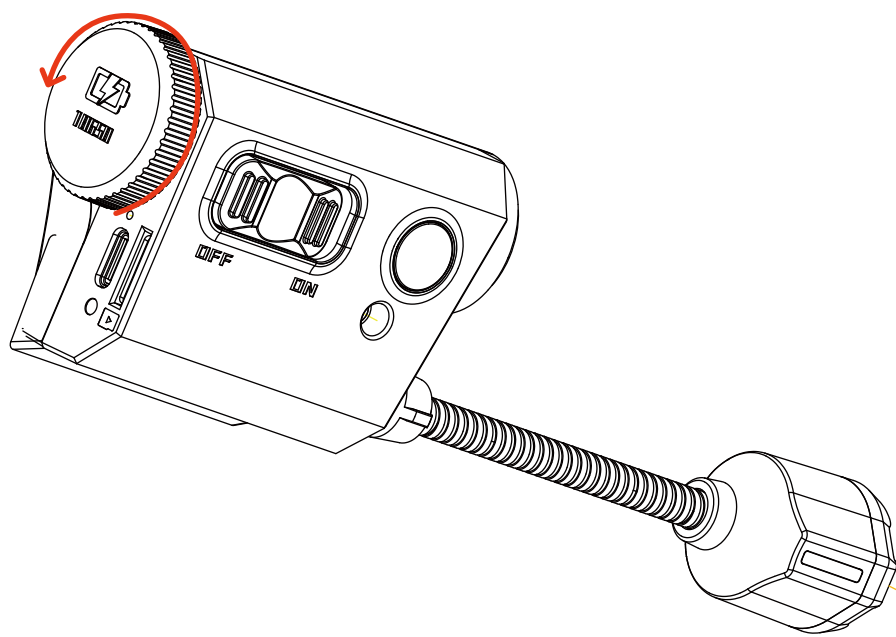
<https://www.runcam.com/download/Helmetcam>

## 8 RunCam App

Please search and download “RunCam App” on GooglePlay (Android) or App Store (iOS).

## 9 Forced shutdown

When the camera cannot be turned off normally via the switch, please rotate the battery door counterclockwise to force the camera shut down.



## 10 Technical Support

Please visit: <https://support.runcam.com/hc/en-us>

## 11 Camera Specifications

Model	RunCam Helmet Camera
Image Sensor	1/2.9" Sensor
Video Resolution	1920*1080@60fps
Lens	FOV D:155° H:135° V:77°
ISO	Auto
Shutter	Auto
Video Format	MP4
USB	Type-C
Current	400mA@5V
Net Weight	110g
Dimensions	167*28*50mm

# HelmetCam User Manual

